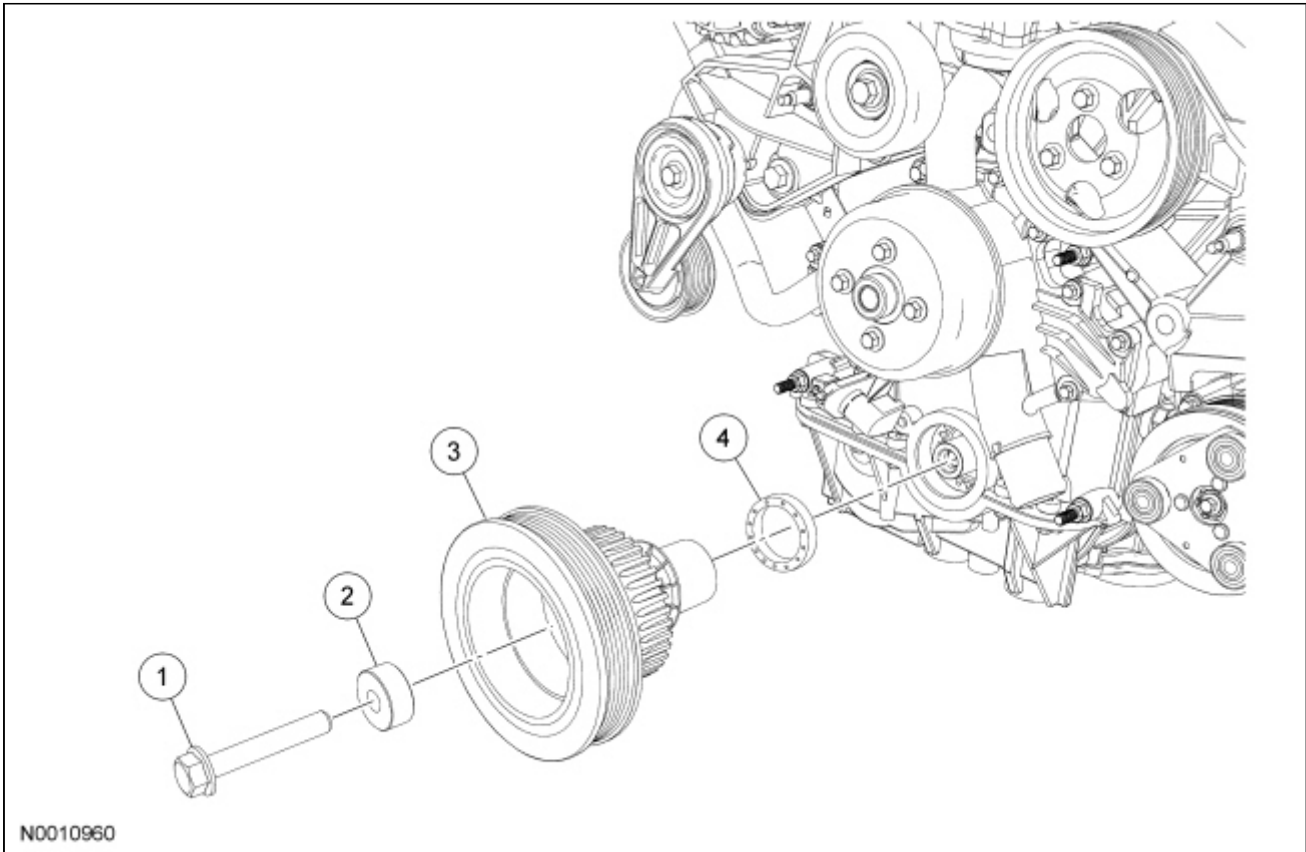


Lower End Components — Exploded View, Crankshaft Pulley and Crankshaft Front Seal



Item	Part Number	Description
1	E800511	Crankshaft pulley bolt
2	—	Washer
3	6B321	Crankshaft pulley
4	6700	Crankshaft front oil seal

1. For additional information, refer to the procedures in this section.

